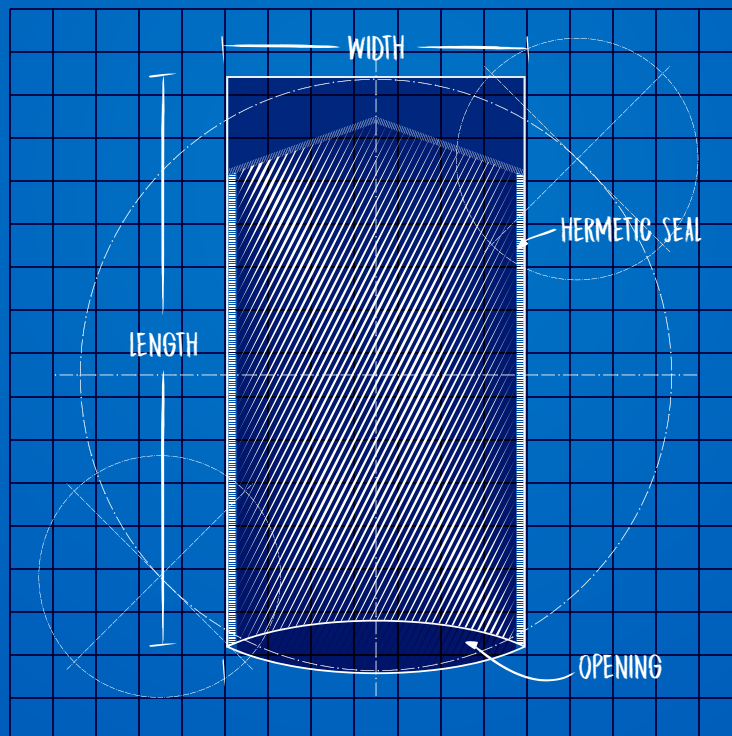


# Precision Clean® Chevron Pouch

Precision Clean Chevron Pouch is processed and manufactured in a certified ISO Class 7 cleanroom environment.

## FILM CHARACTERISTICS ARE AS FOLLO

- Suitable for:
  - Surgical instruments.
  - Cleanroom consumables.
  - Biotechnology.
  - Sterilization by steam, ETO, VHP, or gamma.
  - Medical devices.
  - Pharmaceutical processing.
- Certified to KSC-C-123J.
- Easy access and sterile presentation.
- Tape closures.
- A wide variety of substrates customizable to end user performance needs.
- Constructed with one or both sides 1073B, 1059B, or 40L DuPont Tyvek.
- Available in:
  - 4" wide to 48" long for both



All of PPC Flexible Packaging's Precision Clean® Chevron Pouch are produced in our state-of-the-art ISO Class 4 and ISO Class 7 Cleanrooms.